

55 SERIES




Single Stack Filter Housing

The **55 Series** single cartridge housing has been developed specifically for environments where access to the filter chamber is restricted. This unit accepts Double Open End cartridges, and uses a central bolt with Tee nut for the closure. These housings are ideal for use in areas of limited access and where the spent fluid and element need to be retained within the bowl. They are suitable only for use in the liquids processing industry.



Product Features

- Through bolt assembly ensures centralisation of the cartridge for a reliable knife edge seal, suitable for cartridges ranging from 9.75" through to 30"
- Lightweight, high specification investment cast head
- Available in 316L stainless steel
- Wide range of connection size and types, cartridge lengths and materials of construction.
- PED Compliant to Sound Engineering Practice
- Full traceability on all parts, material certification packs available
- Rated at FV / 10 bar
- WRAS Approved product

Accessories	Part Number
Pressure Gauge and Vent Valve Kit 	60S000016
Ball Valve and Nipple 	60S000010
Mounting Bracket 	50S010003

Features and Benefits

- Ideal for use in areas of limited access
- Investment Cast head (avoids the porosity & inclusion problems associated with lower quality sand castings)
- Integral vent and drain sockets to aid efficient filter changeout complete with PTFE washer
- Every housing is etched with a serial number for full traceability
- Full housing customisation service available
- WRAS Approved product

Product Range

Amazon Filters design and manufacture an extensive range of liquid filtration systems, providing one of the widest selections of filtration vessels, depth filters and pleated cartridges available today, ensuring excellent process and filter compatibility. As one of Europe's leading manufacturers of filtration systems, Amazon Filters is able to offer a solution to meet all filtration requirements. Amazons' filters are manufactured in clean room conditions and all products come with detailed Product Validation Guides and Technical Support documentation.



55 Series Technical Data

Maximum Operating Conditions

Pressure Range: Liquid: FV / 10 bar g
Gas: N/A
Temperature Range: -10°C / 110°C

Materials of Construction

Body and Closure: 316L St. Steel
Seal: EPDM

Finish

Vessel: Bead Blast all over

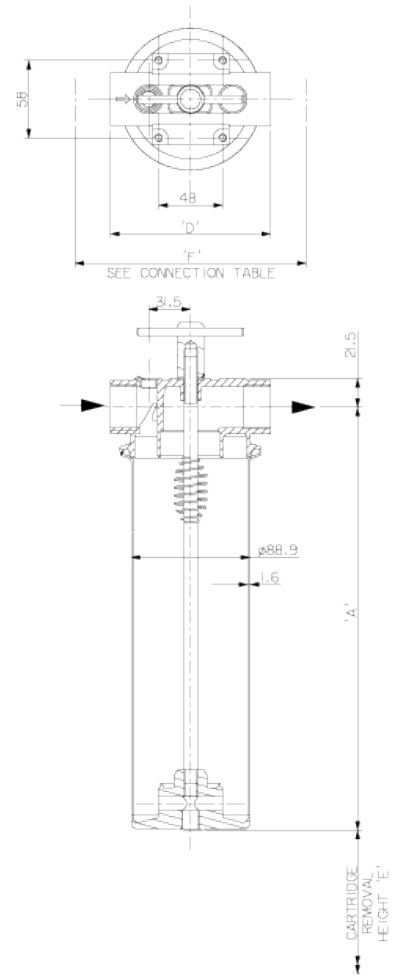
Connections

Inlet/Outlet: 1" BSPF
Vent: 1/4" BSPF with Plug
Drain: 1/4" BSPF with Plug

Model	Dimensions					Volume (Litres)	Dry Weight
	A	B	C	D	E		
10"	319	-	-	120	100	1.8	2.6
20"	573	-	-	120	100	3.3	3.9
30"	827	-	-	120	100	4.8	5.2

PED Status: Compliant with 97/23/EC
Fluid Groups: Liquids Group 1 + 2
Marking: Sound Engineering Practice
Exceptions: Group 1 liquids - Explosive

ATEX: Compliant 94/9/EC, level CE Ex II 2 GD c X
Technical drawings for each individual housing showing dimensions, volume, weights, maximum temperatures and design pressures available on request.



AMAZON FILTERS LTD.

ALBANY PARK ESTATE, FRIMLEY ROAD
CAMBERLEY, SURREY, GU16 7PG
ENGLAND

Tel. +44 (0) 1276 670600
Fax. +44 (0) 1276 670101
Email. sales@amazonfilters.co.uk
Web. www.amazonfilters.com